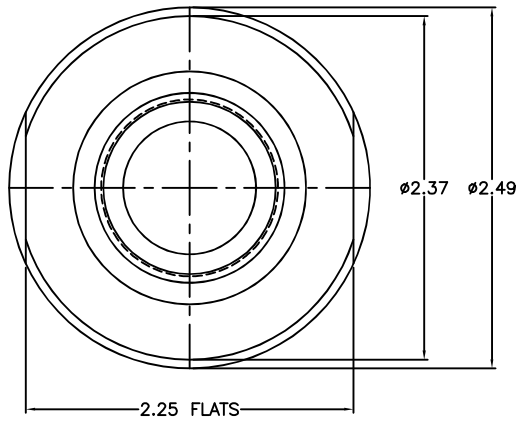


VIEW A-A



31X-16T16M-XXXX
 INLET: AS4395-E-16
 OUTLET: AS930-16

VIEW B-B

