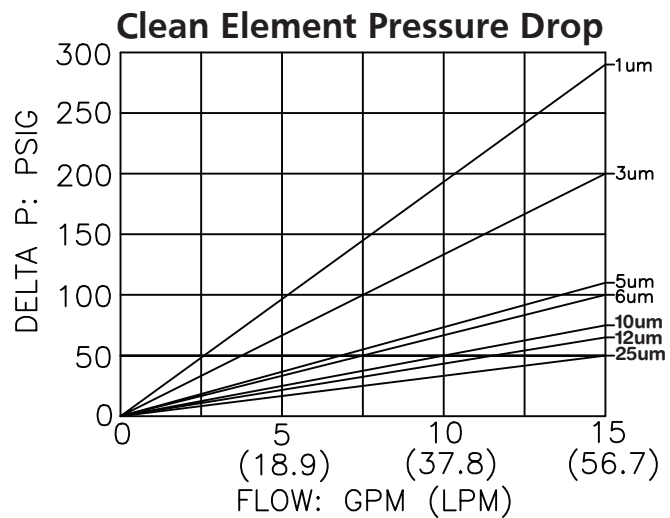
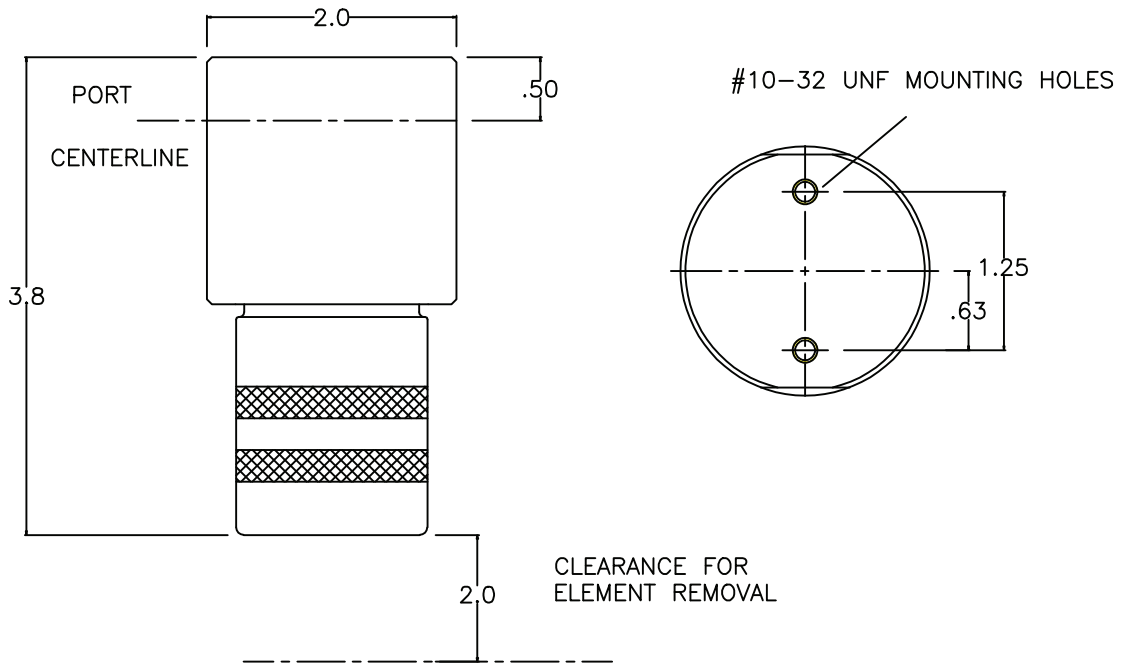


41 Series *Mini Tee-Type Filters*



- ▶ Flows up to 1.5 GPM
- ▶ Up to 10,000 PSI
- ▶ Available in 316 (5K) and 17-4PH (10K) stainless steel
- ▶ A Wide Range of Micron Ratings Available
- ▶ 1/4" FNPT

MINI TEE-TYPE FILTERS



41 Series How to Order

Example Part Number

A	B	C	D	E	F	G	H		
41	P	-	1	4	P	-	10S	E	N

Section A	Description	Code	
Filter Series	Mini Tee-Type	41	
Section B			
Housing Material	17-4 PH SS - 10,000 PSI	P	
& Pressure	316 SS - 5,000 PSI	T	
Section C			
Flow	1.5 GPM / 50 SCFM	1	
Section D			
Inlet/Outlet Port	1/4"	4	
Section E			
Inlet/Outlet Type	NPT	P	
Section F			
	Material	Micron/Nom	Micron/Abs
Micron Rating/ Material	Microglass	1	1M
	Microglass	3	3M
	Microglass	5	5M
	Microglass	10	10M
	Microglass	25	25M
	304 SSTL	2	10
	304 SSTL	5	18
	304 SSTL	10	25
	304 SSTL	40	75
	304 SSTL	75	100
	304 SSTL	100	200
	Section G		
	Collapse Rating	300 PSID Microglass	C
	3250 PSID Microglass	D	
	4500 PSID Stainless Wire Epoxy Bonded	E	
Section H			
O-Ring Material	Buna	N	
	Viton®	V	
	EPR	E	
	Kalrez®	K	
	Teflon Encapsulated Viton	S	

Replacement Element

A	F	G	H
41	-	10S	E
E			N

Section A	Description	Code
Element	Element Size	41
Section F		
Micron/Material	See Section F Above For Code	10S
Section G		
Collapse Rating	See Section G Above For Code	E
Section H		
O-Ring Material	See Section H Above For Code	N