

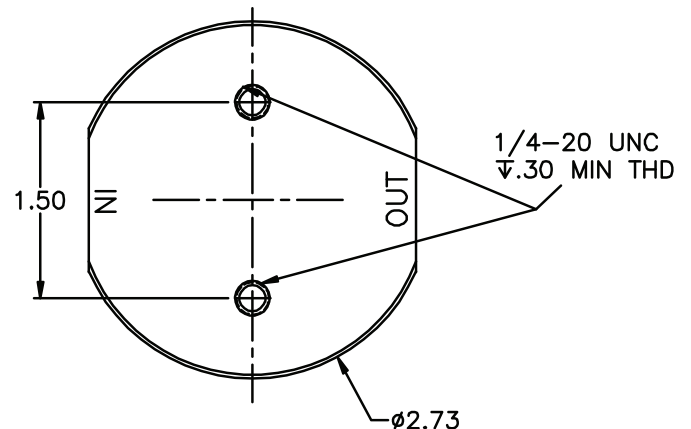
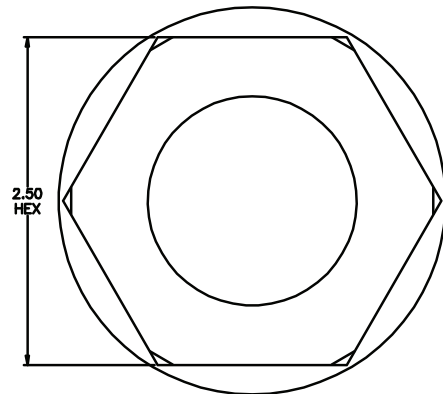
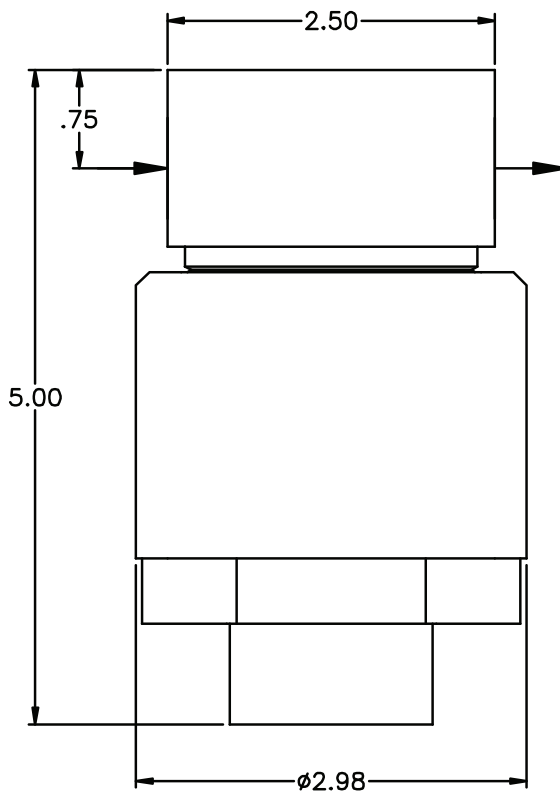
56 Series Tee-Type Filters



- › 60,000 PSI Rated Operating Pressure
- › No Elastomeric Seals
- › Consult Factory for Flow
- › 17-4PH Stainless Steel Construction
- › A Wide Range of Micron Ratings Available
- › 1/4" and 3/8" HP Ports
- › Liquid Applications Only*

*Call Factory for Pneumatic Applications.

TEE-TYPE FILTERS



Pressure Ratings

Operating: 60,000 PSI
Proof: 90,000 PSI
Burst: 120,000 PSI

*5 PSID Pressure Drop at 2.5 GPM, 150 SSU Oil at 25 Micron

56 Series How to Order

Example Part Number

A	B	C	D	E	F
56	P	-	4	HP	-
				10S	E

Section A	Description	Code
Filter Series	Mini Tee-Type	56
Section B		
Housing Material & Pressure	17-4 PH SS - 60,000 PSI	P
Section C		
Inlet/Outlet Port	1/4"	4
	3/8"	6
Section D		
Inlet/Outlet Type	High Pressure Port	HP
Section E		
	Material	Micron/Nom
	Microglass	3
	Microglass	6
	Microglass	12
	304 SSTL	2
	304 SSTL	5
	304 SSTL	10
	304 SSTL	40
	304 SSTL	75
	304 SSTL	100
	304 SSTL	100
Section F		
	3250 PSID Microglass	
	4500 PSID Stainless Wire	

Replacement Element

A	E	E	F
56	E	-	10S
			E

Section A	Description
Element	Element Size
Section E	
Micron/Material	See Section E Above For Code
Section F	
Collapse Rating	See Section F Above For Code