



57 SERIES
HIGH PRESSURE COMPRESSED GAS FILTER
FOR ALTERNATIVE FUELING STATIONS

Our 57AFS Series is specially designed for high pressure compressed gas coalescing filtration. These housings are rated for 5,700 PSIG and manufactured to ASME B31.3 specifications. The UHPC-SL Series is machined of carbon steel and completely coated with nickel/chrome plating for rust protection.

The Flow Rates are based upon our 70CS grade disposable coalescing elements in SCFM @ 100 PSIG with an initial 2 PSID. The 57E-SL elements are rated at 95% removal against 0.01 microns. Above each section is the element size.



Carbon Steel Housings with Nickel / Chrome Coating
Element Size: 1.5" x 6.75"
Element Part Number: 57E-SL-70CS (Standard)
Flow Rate @ 100 PSIG: 105 SCFM

MODEL #	57CS-1-16P-4
BOWL MATERIAL	Carbon Steel
PORT SIZE	1"
DRAIN	¼"
PSIG MAXIMUM	5,700
HEAD DIAMETER	4.34"
OVERALL LENGTH	12.13"
WEIGHT	26 lb.

The 57E-SL series of spring-loaded elements are constructed with inner and outer stainless steel cages to provide higher differential ratings. We recommend using our CS grade (all glass fiber) coalescing spring loaded elements for continuous removal of liquids without the loss of efficiency in natural gas service.





57 SERIES DISPOSABLE INLINE FILTERS

Our standard 57-BN series is by far the most commonly used disposable filter with Microfiber element since it combines high efficiency filtration with low pressure drops in a compact package. Whether being used in an OEM cabinet, emission bench, or air monitor this little gem is an economical workhorse.

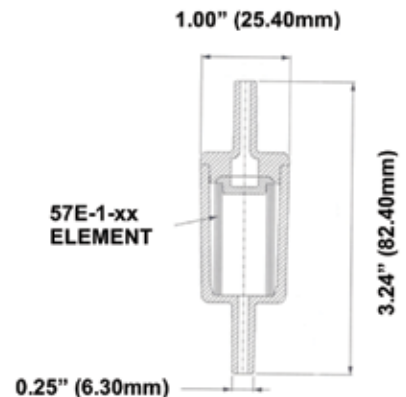
Standard OEM Size with Microfiber Element (57-BN_) *add grade required

Standard Grade: BN50 (99.99% @ 0.01 Micron) - Other Grade Available: BN70 (95.0% @ 0.01 Micron)



TECHNICAL INFORMATION

- 1/4" Inlet / Outlet
- 11.5cc of Volume
- 230°F Maximum Temp. At 0 PSIG
- 125 PSIG of Maximum Pressure at 110°F
- 100% Grilamid TR 55 Blue Nylon body
- Fluorocarbon Borosilicate Glass Microfiber Element
- Standard Gas Flow at 100 PSIG is 4.2 SCFM



Our standard 57-BN series is by far the most commonly used disposable filter with Activated Carbon or Silica Gel. DIA's should be used only when small quantities of vapor are to be removed. Whether being used in an OEM cabinet, emission bench, or zero air applications this little gem is an economical workhorse.

Standard OEM Size Filled With Media (57-BN_) *add media required - CC or SG

CC: Activated Carbon - Adsorption of hydrocarbons and other organic vapors. Zero Air Calibration.

SC: Silica Gel - Adsorption of water vapor



TECHNICAL INFORMATION

- 1/4" Inlet / Outlet
- 11.5cc of Volume
- 230°F Maximum Temp. At 0 PSIG
- 125 PSIG of Maximum Pressure at 110°F
- 100% Grilamid TR 55 Blue Nylon body
- Fluorocarbon Borosilicate Glass Microfiber Element
- Standard Gas Flow at 100 PSIG is 4.2 SCFM

