

# 50 SERIES BRASS TEE FILTER

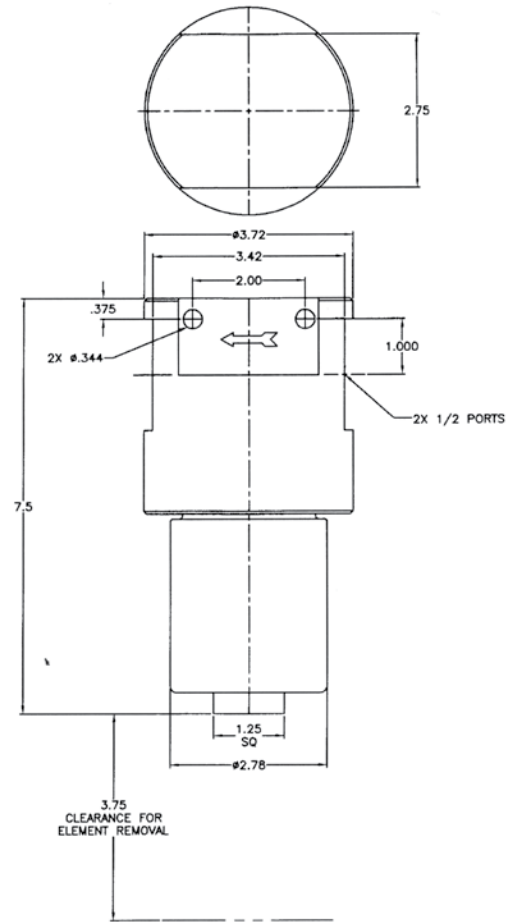
**RATED OPERATING PRESSURE:  
6000 PSIG**

**FLOW CAPABILITY:  
CV-3.0**

**SAFE, RELIABLE  
SIDE-SEAL DESIGN**

**MANY PORTING  
OPTIONS AVAILABLE**

**10 MICRON  
SINTERED BRONZE  
REPLACEABLE  
ELEMENT**



**DESIGN HAS SUCCESSFULLY PASSED MODIFIED ASTM G175 PHASE 2 PROMOTED  
IGNITION TEST WITH 5000 PSIG OXYGEN**

