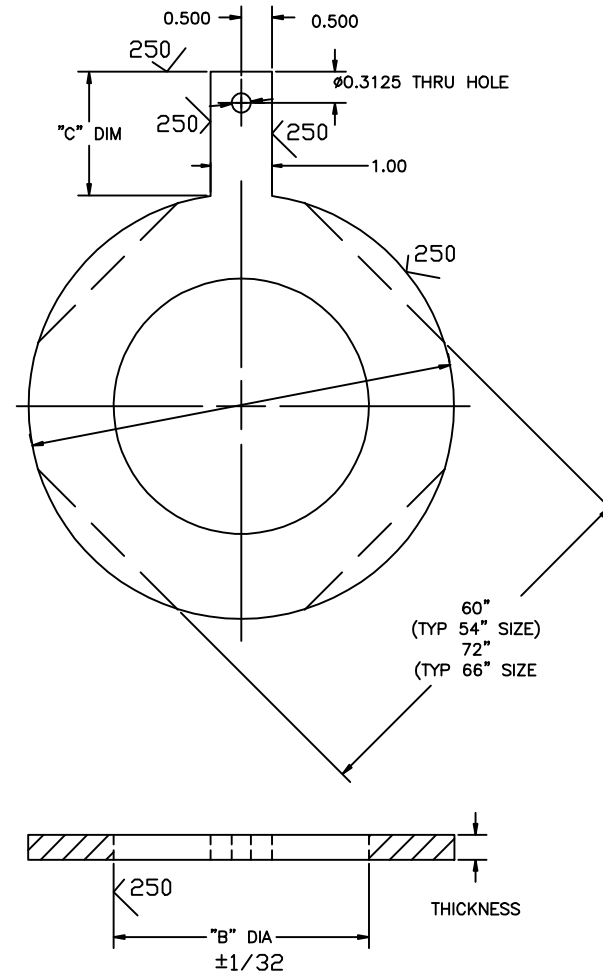


BASE PART #	METER SIZE	"A" DIMENSION	"B" DIMENSION	"C" DIMENSION
GRX2600-X	26"	29.88	26.20	3.7
GRX2800-X	28"	32.13	28.20	3.7
GRX3000-X	30"	34.13	30.20	3.8
GRX3200-X	32"	36.38	32.20	4.2
GRX3400-X	34"	38.38	34.20	4.2
GRX3600-X	36"	40.63	36.20	4.2
GRX3800-X	38"	43.13	38.20	4.3
GRX4000-X	40"	45.13	40.20	4.3
GRX4200-X	42"	47.38	42.20	4.3
GRX4400-X	44"	49.63	44.20	4.3
GRX4600-X	46"	51.63	46.20	4.3
GRX4800-X	48"	53.88	48.20	4.3
GRX5000-X	50"	55.88	50.20	4.4
GRX5200-X	52"	58.13	52.20	4.4
GRX5400-X	54"	60.38	54.20	4.4
GRX6000-X	60"	66.88	60.20	4.6
GRX6600-X	66"	73.63	66.20	4.7
GRX7200-X	72"	80.13	72.20	4.7

"A" DIM
±1/32




GROUNDING RING PART NUMBER

GRXXXXX - X

MATERIAL: S-304 SST, T-316 SST, M-MONEL, H-HATSALLOY C

METER OR PIPE SIZE: 1/2"-0050, 12"-1200

THICKNESS: 0 - .0625", 1 - .125"

0	1-27-20	PTS	INITIAL RELEASE
REV.	DATE	CHG BY	DESCRIPTION OF CHANGE
REVISION HISTORY			
MATERIAL			 <p>CHASE FILTERS & COMPONENTS</p> <p>THIS DOCUMENT AND ITS CONTENT IS PROPERTY OF CHASE FILTERS AND COMPONENTS. IT MAY NOT BE COPIED, REPRODUCED, PROVIDED, OR REVEALED TO ANY OTHER PARTY WITHOUT WRITTEN AUTHORIZATION.</p>
FINISH			
<small>ALL PARTS MUST BE CLEANED FOR OXYGEN SERVICE PER ASTM SPEC 008. GLOVES MUST BE WORN DURING PART HANDLING</small>			
<small>UNLESS OTHERWISE SPECIFIED: ALL DIMENSIONS ARE IN INCHES DIMENSIONS IN PARENTHESES ARE IN MILLIMETERS FINISH: 32-SS CORNER ROUNDS: R3-SS FILLET RADIUS: R3-SS SURFACE REQUIREMENTS: 32-SS THREADS: CLASS 2 THREAD LENGTHS ARE FULL THREAD DO NOT SCALE DIMENSIONS</small>		<small>DRAWN BY: PTS</small> <small>DATE: 1-27-20</small> <small>SCALE: NTS</small>	<small>APPROVED BY: PTS</small> <small>DATE: 1-27-20</small>
GROUNDING RING 26-72"			
CASE CODE: 47347		PART NUMBER: GR00000-X	
THIS PART IS APPROVED BY: 1		OF: 1	