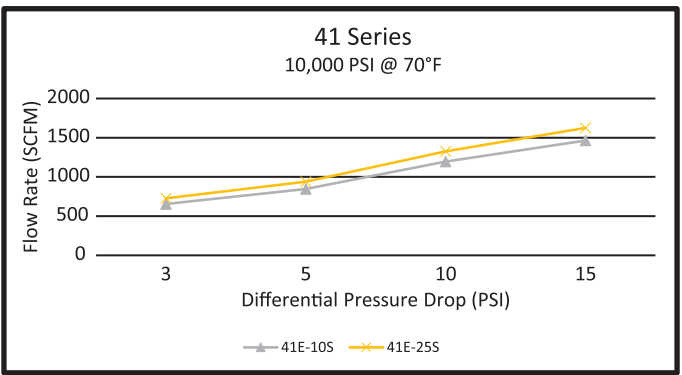
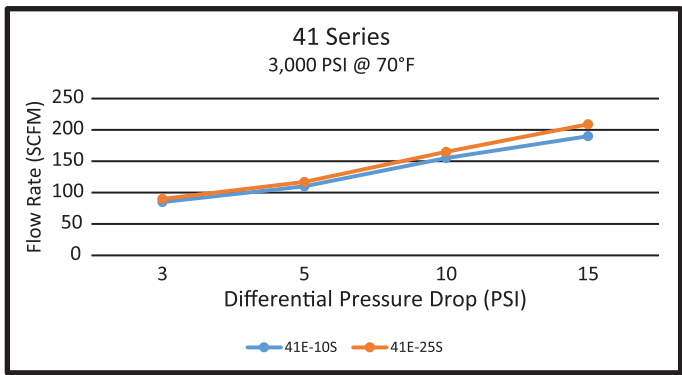
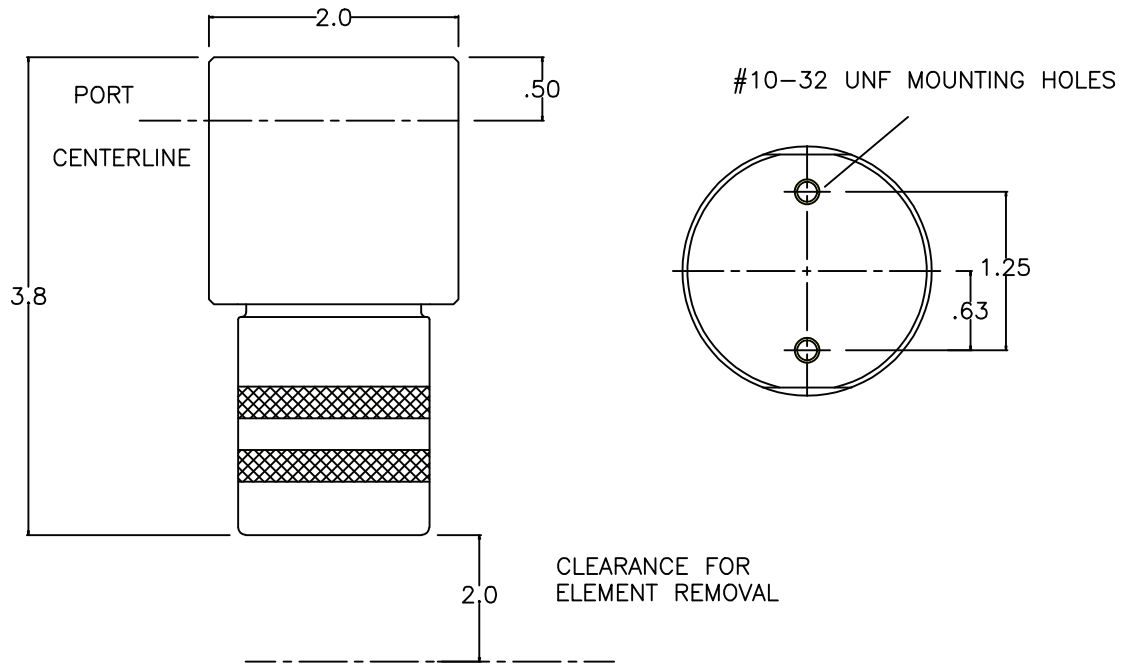


# HY41 Series *Mini Tee-Type Filters*



- › Flows up to 1500 SCFM
- › Up to 7,500 PSI
- › Available in 316 (5,000K) and Nitronic 50 (7,500K)
- › A Wide Range of Micron Ratings Available
- › 1/4" SAE

MINI TEE-TYPE FILTERS



# HY41 Series How to Order

## Example Part Number

		A	B	C	D	E	F	G	H		
		HY41	N	-	1	4	S	-	10S	E	N
<i>Section A</i>	<i>Description</i>	<i>Code</i>									
Filter Series	Mini Tee-Type	41									
<i>Section B</i>											
Housing Material & Pressure	Nitronic 50 - 7,500 PSI	N	N								
	316 SS - 5,000 PSI	T	T								
<i>Section C</i>											
Flow	1,500 SCFM	1	1								
<i>Section D</i>											
Inlet/Outlet Port	1/4"	4	4								
<i>Section E</i>											
Inlet/Outlet Type	SAE	S	S								
<i>Section F</i>											
Micron Rating/ Material	Material	Micron/Nom	Micron/Abs								
	Microglass	1	1M	1M							
	Microglass	3	3M	3M							
	Microglass	5	5M	5M							
	Microglass	10	10M	10M							
	Microglass	25	25M	25M							
	304 SSTL	2	10	10S	10S						
	304 SSTL	5	18	18S	18S						
	304 SSTL	10	25	25S	25S						
	304 SSTL	40	75	75S	75S						
	304 SSTL	74	100	100S	100S						
	304 SSTL	100	200	200S	200S						
<i>Section G</i>											
Collapse Rating	300 PSID Microglass	C	C								
	3250 PSID Microglass	D	D								
	4500 PSID Stainless Wire Epoxy Bonded	E	E								
<i>Section H</i>											
O-Ring Material	Buna -40°F to +250°F	N	N								
	Viton® -20°F to +400°F	V	V								
	EPR -60°F to +400°F	E	E								
	Kalrez® -40°F to +500°F	K	K								
	Teflon Encapsulated Viton -4°F to +400°F	S	S								
Teflon -325°F to +550°F	T	T									

## Replacement Element

		A	F	G	H		
		HY41	E	-	10S	E	N
<i>Section A</i>	<i>Description</i>						
Element	Element Size	41					
		Element		E			
<i>Section F</i>							
Micron/Material	See Section F Above For Code		10S				
<i>Section G</i>							
Collapse Rating	See Section G Above For Code		E				
<i>Section H</i>							
O-Ring Material	See Section H Above For Code		N				