

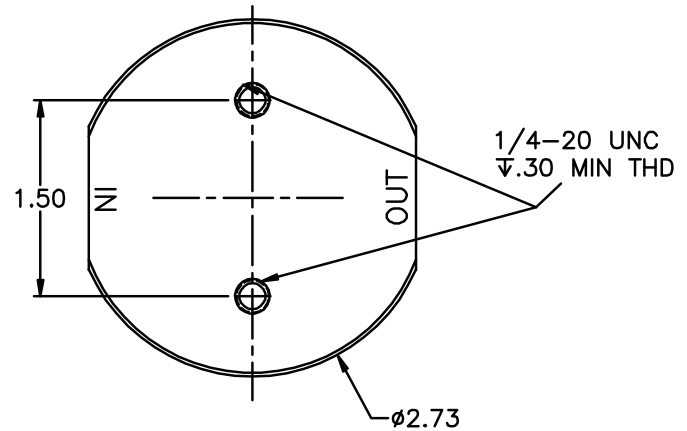
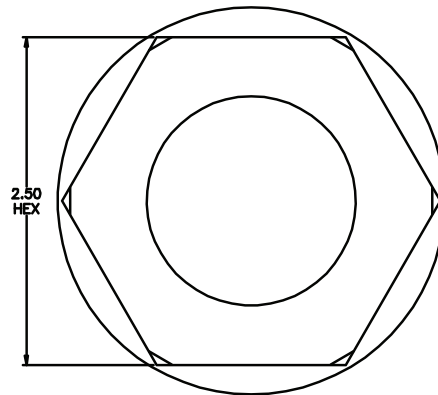
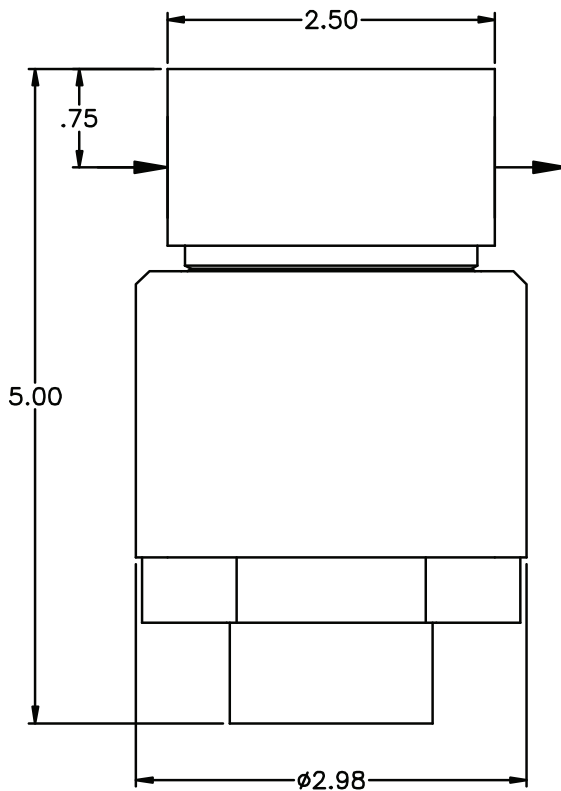
56 Series Tee-Type Filters



- › 60,000 PSI Rated Operating Pressure
- › No Elastomeric Seals
- › Consult Factory for Flow
- › 17-4PH Stainless Steel Construction
- › A Wide Range of Micron Ratings Available
- › 1/4" and 3/8" HP Ports
- › Liquid Applications Only*

*Call Factory for Pneumatic Applications.

TEE-TYPE FILTERS



Pressure Ratings

Operating: 60,000 PSI

Proof: 90,000 PSI

Burst: 120,000 PSI

*5 PSID Pressure Drop at 2.5 GPM, 150 SSU Oil at 25 Micron

56 Series How to Order

Example Part Number

				A	B		C	D		E	F
				56	P	-	4	HP	-	10S	
<i>Section A</i>	<i>Description</i>	<i>Code</i>									
Filter Series	Mini Tee-Type	56		56							
<i>Section B</i>											
Housing Material & Pressure	17-4 PH SS - 60,000 PSI	P			P						
<i>Section C</i>											
Inlet/Outlet Port	1/4"	4					4				
	3/8"	6					6				
<i>Section D</i>											
Inlet/Outlet Type	High Pressure Port	HP						HP			
<i>Section E</i>											
	<i>Material</i>	<i>Micron/Nom</i>	<i>Micron/Abs</i>								
	Microglass		3	3M						3M	
	Microglass		6	6M						6M	
	Microglass		12	12M						12M	
	304 SSTL	2	10	10S						10S	
	304 SSTL	5	18	18S						18S	
	304 SSTL	10	25	25S						25S	
	304 SSTL	40	75	75S						75S	
	304 SSTL	75	100	100S						100S	
	304 SSTL	100	200	200S						200S	
<i>Section F</i>											
	3250 PSID Microglass										
	4500 PSID Stainless Wire										

Replacement Element

				A			E	F
				56	E	-	10S	E
<i>Section A</i>	<i>Description</i>	<i>Code</i>						
Element	Element Size	56						
<i>Section B</i>								
Element					E			
<i>Section E</i>								
Micron/Material	See Section E Above For Code						10S	
<i>Section F</i>								
Collapse Rating	See Section F Above For Code							E



info@chasefiltercompany.com • 757-327-0036

Please visit: www.chasefiltercompany.com to download 3D Models & Step Drawings