

F1524-X-25

INLINE FILTER ASSEMBLY
 MONEL / BRONZE FILTER
 10,000 PSIG MAX PRESSURE
 2" GR14
 VITON OR TEFLON O-RINGS
 MONEL CONSTRUCTION
 CLEAN FOR OXYGEN SERVICE PER ASTM G93

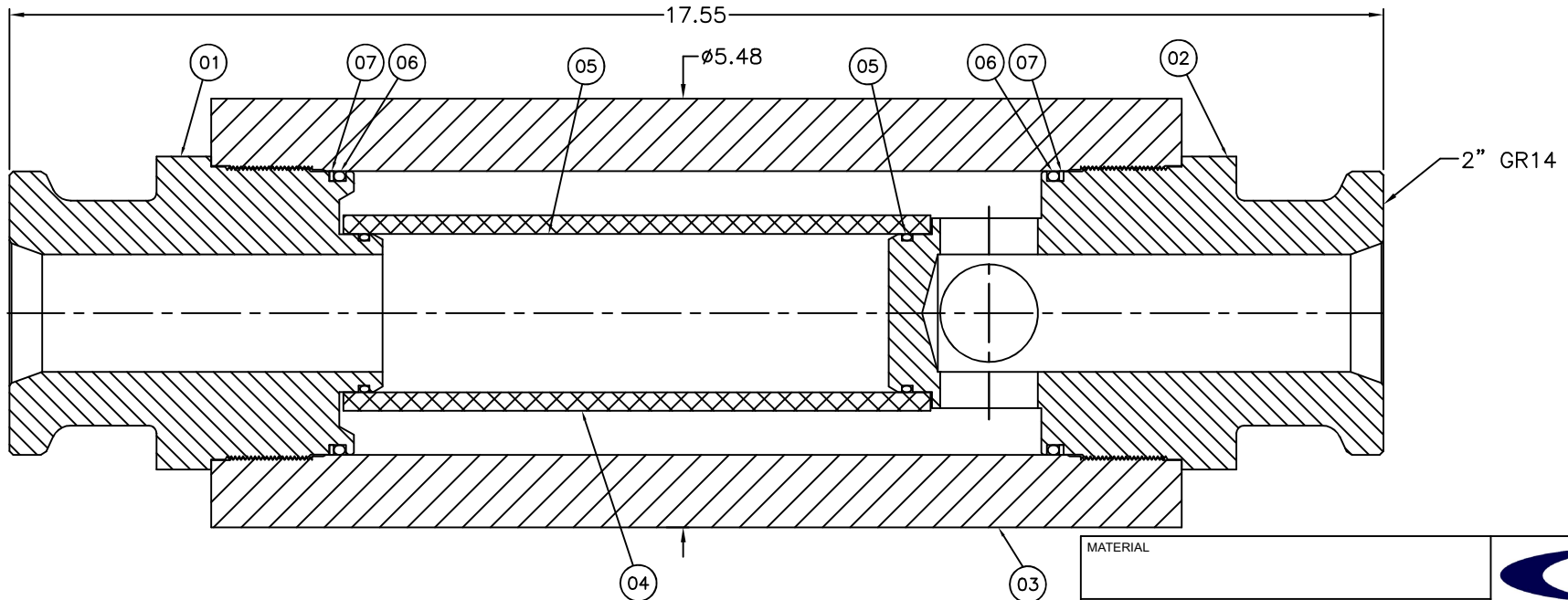
NOTES:

- LUBE ALL O-RINGS, O-RING SEAL SURFACES, THREADED CONNECTIONS WITH AN OXYGEN COMPATIBLE LUBRICANT (CHRISTO-LUBE MCG-111 OR EQUAL).
- TORQUE REQUIREMENTS:
175 FT-LBS

FN	PART NUMBER	DESCRIPTION
01	F1524-OH2GR14	OUTLET BODY
02	F1524-IH2GR14	INLET BODY
03	F1524-BODY	BODY, TUBE
04	F1122E-25PBG	ELEMENT, FILTER
05(2X)	4010-133X	O-RING SZ 133
06(2X)	4010-237X	O-RING SZ 237
07(2X)	4011-237T	BACK-UP RING, TEFLON SZ 237

PART NUMBER: F1524-X-25

T-TEFLON
 V-VITON




REV.	DATE	CHG BY	DESCRIPTION OF CHANGE
1	10-18-24	TW	INITIAL RELEASE
REVISION HISTORY			

MATERIAL

FINISH

ALL PARTS MUST BE CLEANED FOR OXYGEN SERVICE PER ASTM SPEC G93. GLOVES MUST BE WORN DURING PART HANDLING

UNLESS OTHERWISE SPECIFIED:
 0 ± .02 REMOVE ALL BURRS
 .00 ± .01 DIMENSIONS IN INCHES
 .000 ± .005 ISO / ASME Y14.5
 ANGLES: 41°
 CORNER BREAKS .005-.020
 FILLET RADII .005-.020
 SURFACE ROUGHNESS: 80
 THREADS: CLASS 2
 THREAD LENGTHS ARE FULL THREAD
 DO NOT SCALE PRINTED DRAWING



CFC
 CHASE FILTERS & COMPONENTS
 NEWPORT NEWS, VIRGINIA 23607

THIS DOCUMENT AND ITS CONTENT IS PROPERTY OF CHASE FILTERS AND COMPONENTS. IT MAY NOT BE COPIED, REPRODUCED, PROVIDED, OR REVEALED TO ANY OTHER PARTY WITHOUT WRITTEN AUTHORIZATION

SCALE: 1:1.5	DRAWN BY: TW	APPROVED BY: PTS
DESCRIPTION		
ASSEMBLY, FILTER		
CAGE CODE 4FX47	PART NUMBER F1524-X-25	SIZE B
THIRD ANGLE PROJECTION	SHT. 1 OF 1	