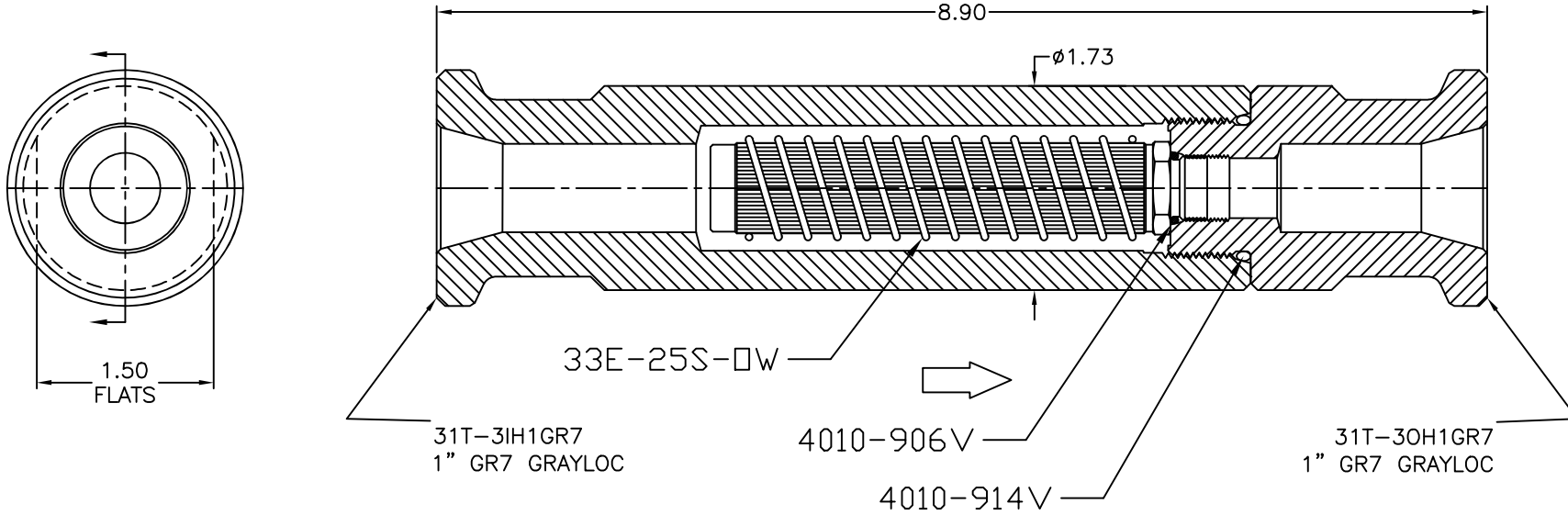


31T-31GR7-25SV-OW




GENERAL SPECIFICATIONS:

MAX OPERATING PRESSURE: 6000 PSIG
 PROOF PRESSURE; 9000 PSIG
 PRESSURE RATING: PER ASTM B31.3
 MATERIALS OF CONSTRUCTION: 316 SST
 ELEMENT COLLAPSE PRESSURE: 4500 PSID
 O-RINGS: VITON

NOTES:

1. LUBE ALL O-RINGS & THREADED CONNECTIONS
2. TORQUE REQUIREMENTS:
HOUSING 50-60 FT-LBS

REV.	DATE	CHG BY	DESCRIPTION OF CHANGE
1	12-13-24	TW	INITIAL RELEASE
REVISION HISTORY			

MATERIAL		 CHASE FILTERS & COMPONENTS <small>NEWPORT NEWS, VIRGINIA 23607</small>	
FINISH			
ALL PARTS MUST BE CLEANED FOR OXYGEN SERVICE PER ASTM SPEC G93. GLOVES MUST BE WORN DURING PART HANDLING			
UNLESS OTHERWISE SPECIFIED: 0 ± .02 REMOVE ALL BURRS .00 ± .01 DIMENSIONS IN INCHES .000 ± .005 ISO / ASME Y14.5 ANGLES: 41° CORNER BREAKS .005-.020 FILLET RADII .005-.020 SURFACE ROUGHNESS: 80 THREADS: CLASS 2 THREAD LENGTHS ARE FULL THREAD DO NOT SCALE PRINTED DRAWING		SCALE: 1:1	DRAWN BY: TW 12-13-24 APPROVED BY: PTS 12-16-24
DESCRIPTION			
ASSEMBLY, FILTER			
CAGE CODE 4FX47	PART NUMBER 31T-31GR7-25SV-OW		SIZE B
THIRD ANGLE PROJECTION	SHT.	1 OF 1	