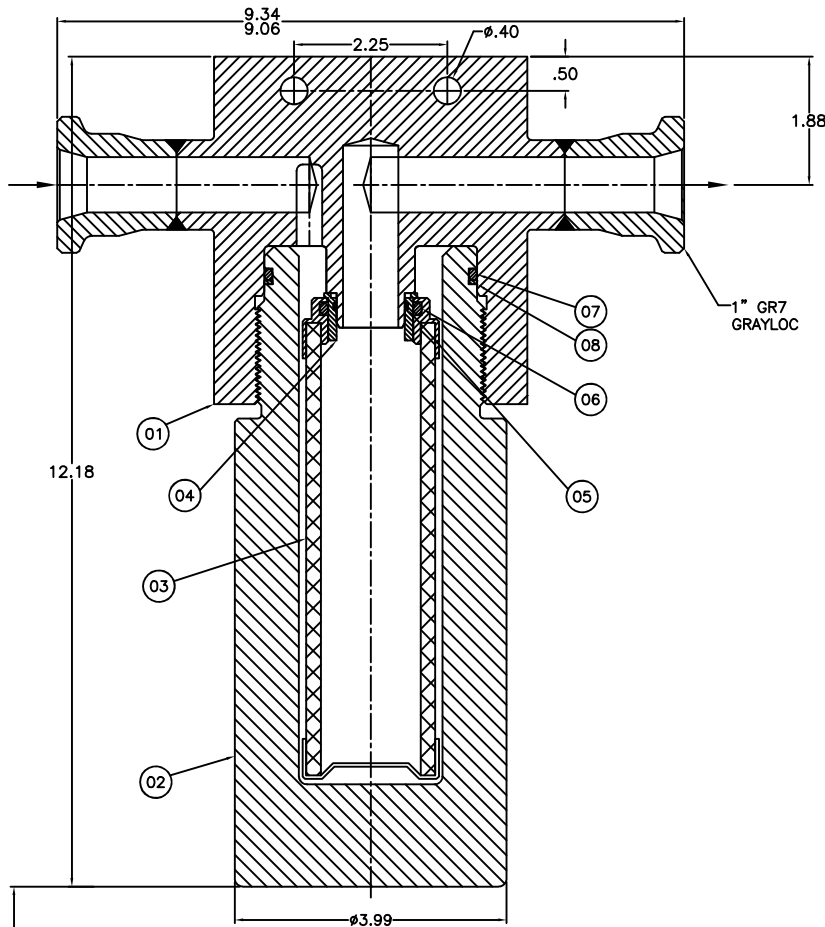


F1522



7.9" CLEARANCE FOR REMOVAL

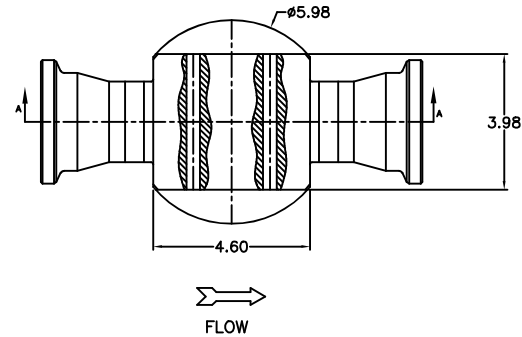
FN	PART NUMBER	DESCRIPTION
01	52T-16GR7	HEAD, FILTER
02	52T-3BOWL	BOWL
03	53E-10SE	ELEMENT, FILTER
04	51T-ADAPTER	ELEMENT ADAPTER
05	4010-0227T	O-RING, TEFLON SZ 022
06	4010-218T	O-RING, TEFLON SZ 218
07	4010-233T	O-RING, TEFLON SZ 233
08	4012-233T	BACK-UP RING, TEFLON SZ 233

F1522
316 SST
8180 PSIG


NOTES:

- LUBE ALL O-RINGS, O-RING SEAL SURFACES, THREADED CONNECTIONS WITH AN OXYGEN COMPATIBLE LUBRICANT (CHRISTO-LUBE MCG-111 OR EQUAL).
- TORQUE REQUIREMENTS:
BONNET TO BODY- 80-85 FT-LBS

TOP VIEW
SCALE .5X



REV.	DATE	CHG BY	DESCRIPTION OF CHANGE
1	12-13-24	TW	INITIAL RELEASE
REVISION HISTORY			

MATERIAL		 <small>NEWPORT NEWS, VIRGINIA 23607</small>	
FINISH			
<small>ALL PARTS MUST BE CLEANED FOR OXYGEN SERVICE PER ASTM SPEC G93. GLOVES MUST BE WORN DURING PART HANDLING</small>			
<small>UNLESS OTHERWISE SPECIFIED: 0 ± .02 REMOVE ALL BURRS .00 ± .01 DIMENSIONS IN INCHES .000 ± .005 ISO / ASME Y14.5 ANGLES: 45° CORNER BREAKS .005-.020 FILLET RADII .005-.020 SURFACE ROUGHNESS: 80 THREADS: CLASS 2 THREAD LENGTHS ARE FULL THREAD DO NOT SCALE PRINTED DRAWING</small>		<small>SCALE: 1:1</small>	<small>DRAWN BY: TW 12-13-24</small> <small>APPROVED BY: PTS 12-16-24</small>
DESCRIPTION			
ASSEMBLY, FILTER			
<small>CAGE CODE 4FX47</small>	<small>PART NUMBER F1522</small>	<small>SIZE B</small>	
<small>THIRD ANGLE PROJECTION</small>	<small>SHT. 1 OF 1</small>		