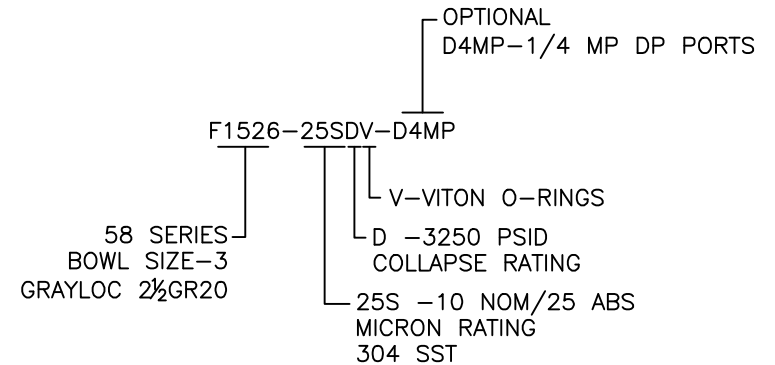


FN	PART NUMBER	DESCRIPTION
01	58T-40GR20-4MP	FILTER HEAD WELDMT
02	58T-3BOWL	FILTER BOWL
03	583E-25SD	ELEMENT, FILTER
04	4010-251V7	O-RING, VITON SZ 251
05	4010-223V7	O-RING, VITON SZ 223

NOTES:

- LUBE ALL O-RINGS, O-RING SEAL SURFACES, THREADED CONNECTIONS WITH AN OXYGEN COMPATIBLE LUBRICANT (CHRISTO-LUBE MCG-111 OR EQUAL).
- TORQUE REQUIREMENTS:  
BONNET TO BODY 150 FT-LBS

TEE TYPE FILTER ASSEMBLY  
316 SST HEAD AND BOWL  
SST WIRE FILTER  
7500 PSIG MAX PRESSURE  
PROOF PRESSURE 150%



REV.	DATE	CHG BY	DESCRIPTION OF CHANGE
1	12-19-24	PTS	INITIAL RELEASE

REVISION HISTORY

MATERIAL	
FINISH	

ALL PARTS MUST BE CLEANED FOR OXYGEN SERVICE PER ASTM SPEC G93. GLOVES MUST BE WORN DURING PART HANDLING.

UNLESS OTHERWISE SPECIFIED:  
 Ø ± .02 REMOVE ALL BURRS  
 .000 ± .005 DIMENSIONS IN INCHES  
 ISO / ASME Y14.5  
 ANGLE ± 1°  
 CORNER BREAKS .005-.020  
 FILLET RADI .005-.020  
 SURFACE ROUGHNESS: 32  
 THREADS: CLASS 2  
 THREAD LENGTHS ARE FULL THREAD  
 DO NOT SCALE PRINTED DRAWING

SCALE: 1:2

DRAWN BY: TW 12-11-24  
 APPROVED BY: PTS 12-19-24

DESCRIPTION  
**ASSEMBLY FILTER**

CAGE CODE 4FX47	PART NUMBER F1526-25SDV-D4MP	SIZE C
--------------------	---------------------------------	-----------

THIRD ANGLE PROJECTION SHT. 1 OF 1



THIS DOCUMENT AND ITS CONTENT IS PROPERTY OF CHASE FILTERS AND COMPONENTS. IT MAY NOT BE COPIED, REPRODUCED, PROVIDED, OR REVEALED TO ANY OTHER PARTY WITHOUT WRITTEN AUTHORIZATION.