

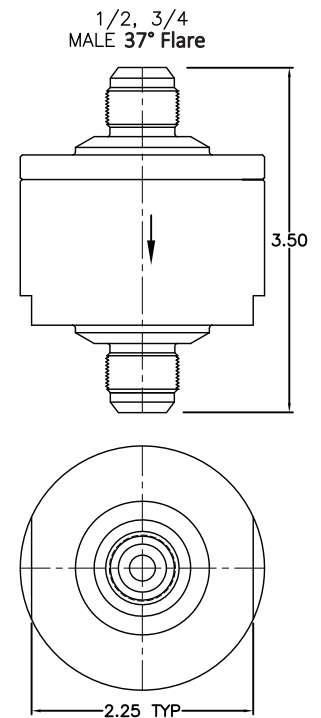
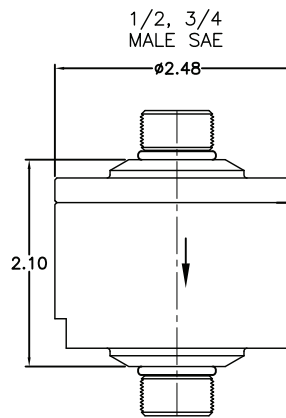
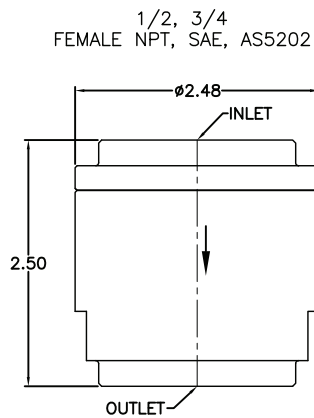
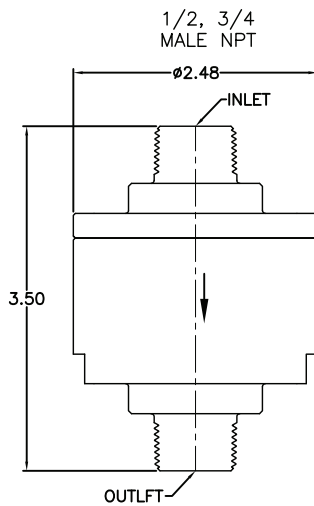
# 23 Series

## In-Line Filters



- 316 Stainless (6K)
- Flows up to 5 GPM or 150 SCFM
- Port Sizes Available in 1/2" and 3/4"
- 316 Stainless Steel Pleated Disc
- Various Micron Ratings Available from 2 to 300
- Ideal for Applications with Limited Space
- Economical Filters for Test Stands, Meters, Gauges, Relief Valves and Both Hydraulic and Pneumatic Systems

### MINI IN-LINE FILTERS



### Pressure Ratings

#### Stainless (6K)

Operating: 6,000 PSI  
 Proof: 9,000 PSI  
 Burst: 24,000 PSI

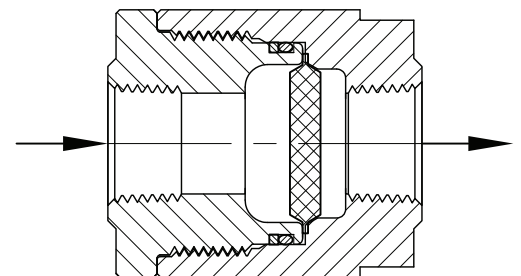
### Temperature Ratings

#### Elements

Stainless -425°F to +1000°F

#### O-Rings

Buna -40°F to +250°F  
 Viton -20°F to +400°F  
 EPR -60°F to +400°F  
 Kalrez -40°F to +550°F  
 Teflon Encapsulated Viton -4°F to +400°F  
 Teflon -425°F to +450°F



# 23 Series How to Order

## Example Part Number

A	B	C	D	E	F	G	H
23	T	-	8	P	8	P	- 10S V

<b>Section A</b>	<i>Description</i>	<i>Code</i>
Filter Series	Mini In-Line Filters	23

<b>Section B</b>	<i>Description</i>	<i>Code</i>
Housing Material & Pressure	316 SS - 6000 PSI	T

<b>Section C</b>	<i>Description</i>	<i>Code</i>
Inlet Port Size	1/2"	8
	3/4"	12

<b>Section D</b>	<i>Description</i>	<i>Code</i>
Inlet Port Type	Male SAE	M
	Male NPT	N
	Female NPT	P
	Female SAE J1926	S
	37° Flare	T
	AS1098	C

<b>Section E</b>	<i>Description</i>	<i>Code</i>
Outlet Port Size	1/2"	8
	3/4"	12

<b>Section F</b>	<i>Description</i>	<i>Code</i>
Outlet Port Type	Male SAE	M
	Male NPT	N
	Female NPT	P
	Female SAE J1926	S
	37° Flare	T
	AS1098	C

<b>Section G</b>	<i>Material</i>	<i>Micron/Nom</i>	<i>Micron/Abs</i>
Micron Rating / Material	316 SSTL	2	10
	316 SSTL	5	18
	316 SSTL	10	25
	316 SSTL	20	40
	316 SSTL	40	75
	316 SSTL	100	150
	316 SSTL	200	300
	316 SSTL	300S	300S

<b>Section H</b>	<i>Description</i>	<i>Code</i>
O-Ring Material	Buna	N
	Viton®	V
	EPR	E
	Teflon	T
	Kalrez®	K
	Teflon Encapsulated Viton	S

## Replacement Element

A	B	C	G
23	E	-	10S

<b>Section A</b>	<i>Description</i>
Element	Element Size

Element	E
---------	---

<b>Section G</b>	<i>Description</i>
Micron / Material	See Section G Above for Code



[info@chasefiltercompany.com](mailto:info@chasefiltercompany.com) • 757-327-0036

Please visit: [www.chasefiltercompany.com](http://www.chasefiltercompany.com) to download 3D Models & Step Drawings